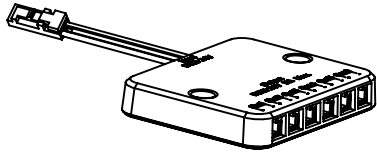
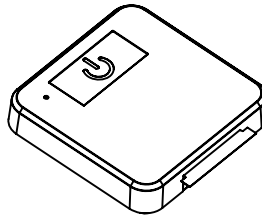


Product & Accessory



1* wireless receiver



1* wireless emitter of touch dimmer

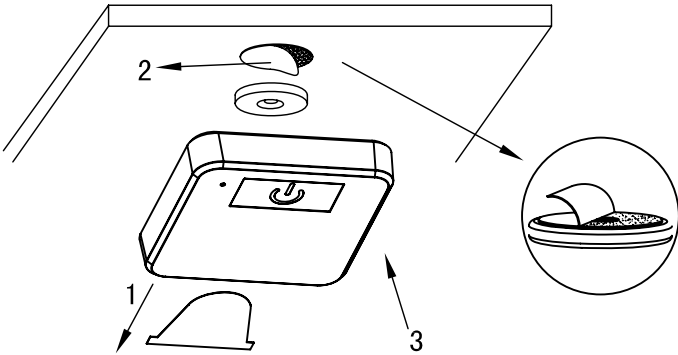


1* screw



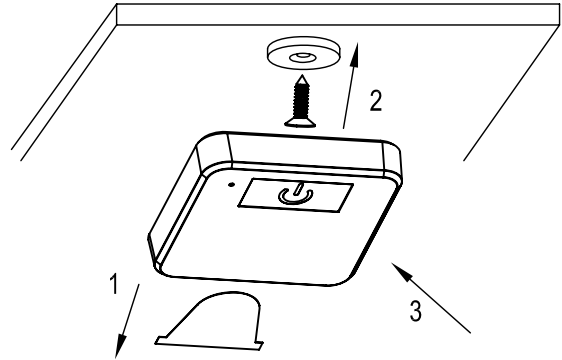
1* magnet piece

A1

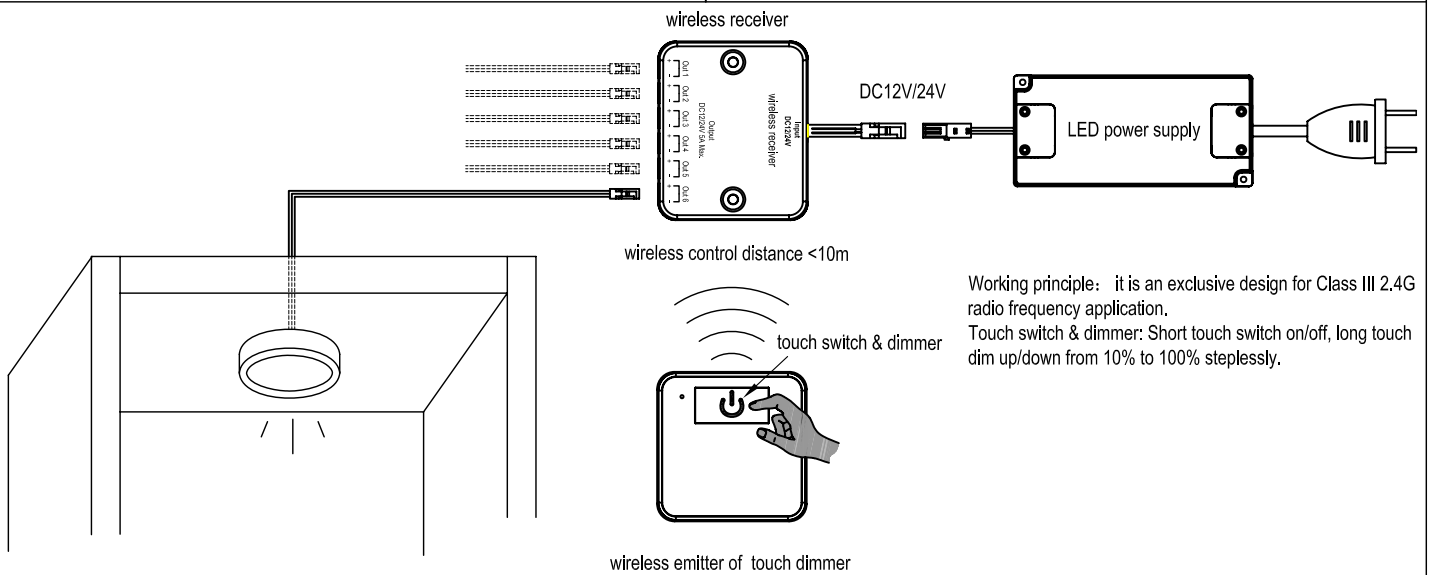


1. Take off isolating sheet of battery
2. Fix the magnet piece onto the board with 3M tape
3. Stick the wireless remitter onto the magnet piece
4. The receiver should be installed within remote control distance <10m.

B1

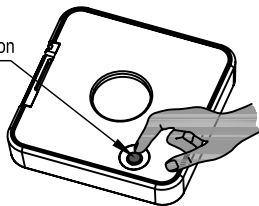


1. Take off isolating sheet of battery
2. Fix the magnet piece onto the board with screw
3. Stick the wireless remitter onto the magnet piece
4. The receiver should be installed within remote control distance <10m.



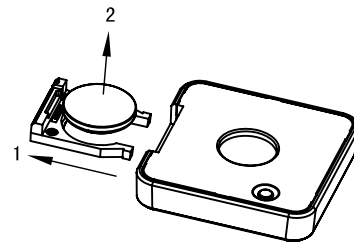
Pairing/Unpairing

pairing/unpairing button



1. Pairing: Press the pairing button on the emitter within 3seconds after receiver connected to the power supply, it's successfully paired when the output light flash three times.
2. Unpairing: Long press(over3S) the pairing button on the emitter within 3seconds after receiver connected to the power supply, it's successfully unpaired when the output light flash three times.
3. One receiver can be paired with multiple emitters, one emitter can be paired with max. eight receivers. (one receiver and one emitter already paired in production, pls do the multiple pairing and unpairing by yourself.)

Battery change



Indicating light quickly flashes when battery is low

1. Pull out the battery box
2. Change a new CR2032 cell battery