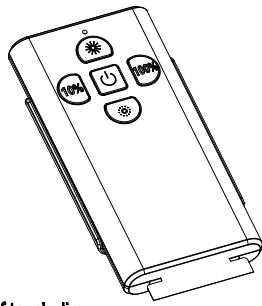
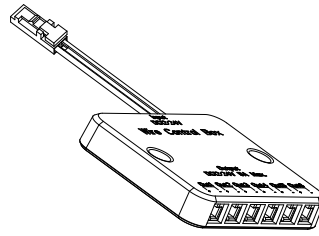


product & accessory



1* wireless emitter of touch dimmer

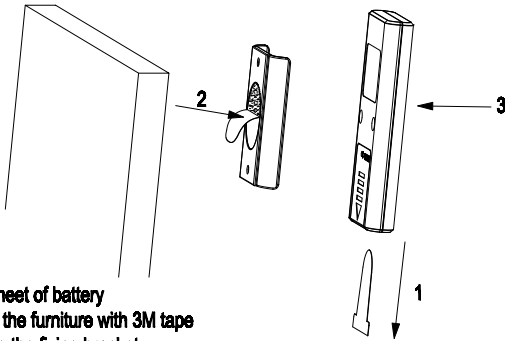


1* wireless receiver



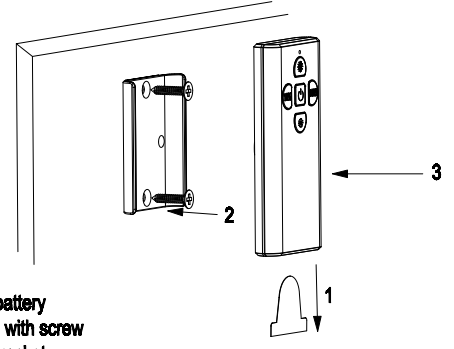
2*screw

A1

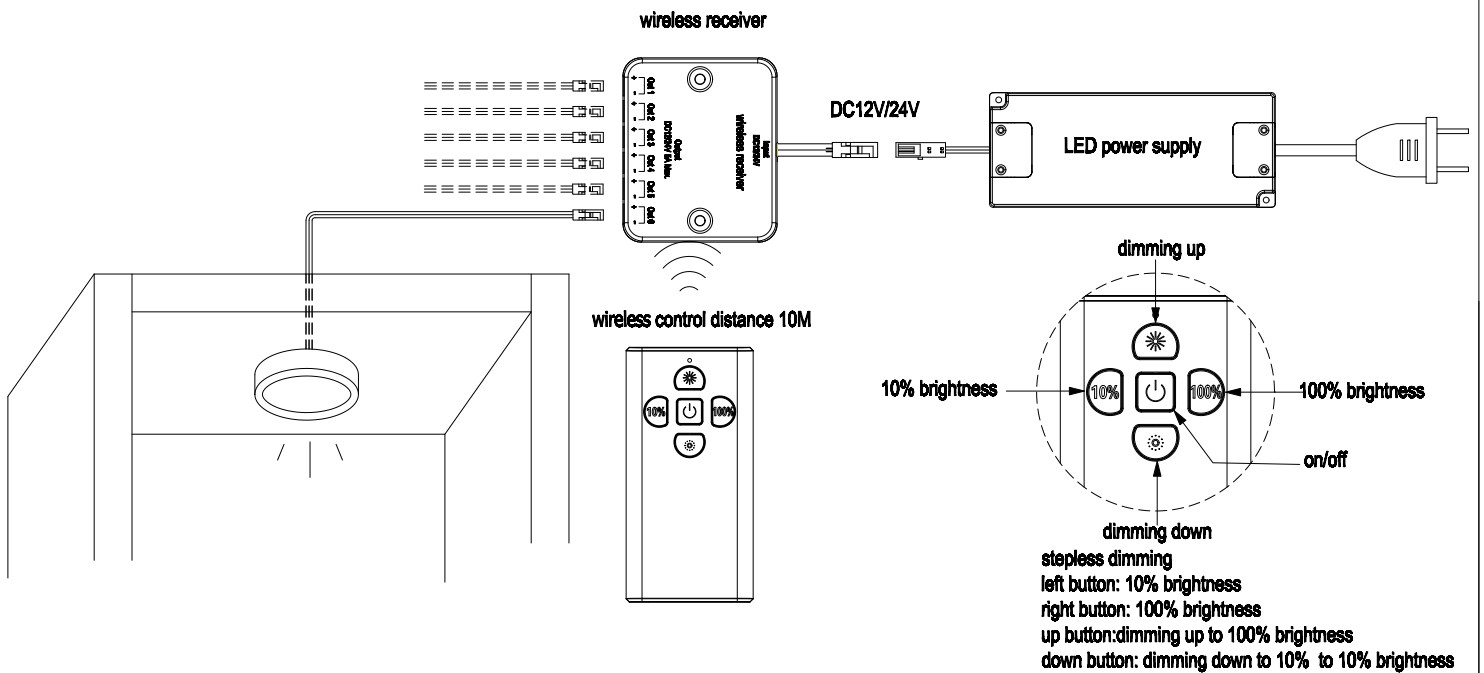


1. take off insulation sheet of battery
2. Fix the bracket onto the furniture with 3M tape
3. Clip the emitter onto the fixing bracket

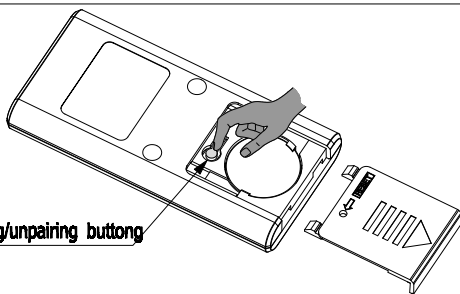
A2



1. take off insulation sheet of cell battery
2. Fix the bracket onto the furniture with screw
3. Clip the emitter onto the fixing bracket



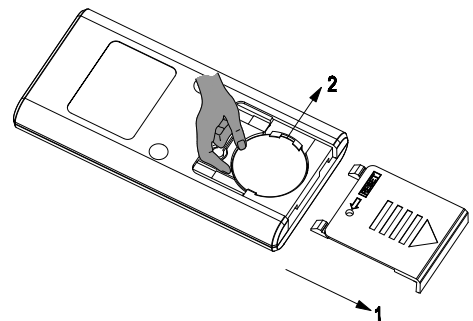
pairing/unpairing



pairing/unpairing button

1. Pairing: Press the pairing button on the remitter within 3seconds after receiver connected to the power supply, it's successfully paired when the output light flash three times.
2. Unpairing: Long press (over 3S) the pairing button on the remitter within 3seconds after receiver connected to the power supply, it's successfully unpaired when the output light flash three times.
3. One receiver can be paired with multiple emitters, one emitter can be paired with max. eight receivers. (one receiver and one emitter already paired in production, pls do the multiple pairing and unpairing by yourself.)

Battery change



Indicating light quickly flashes when battery is low

1. Pull out the battery box
2. Change a new CR2032 cell battery